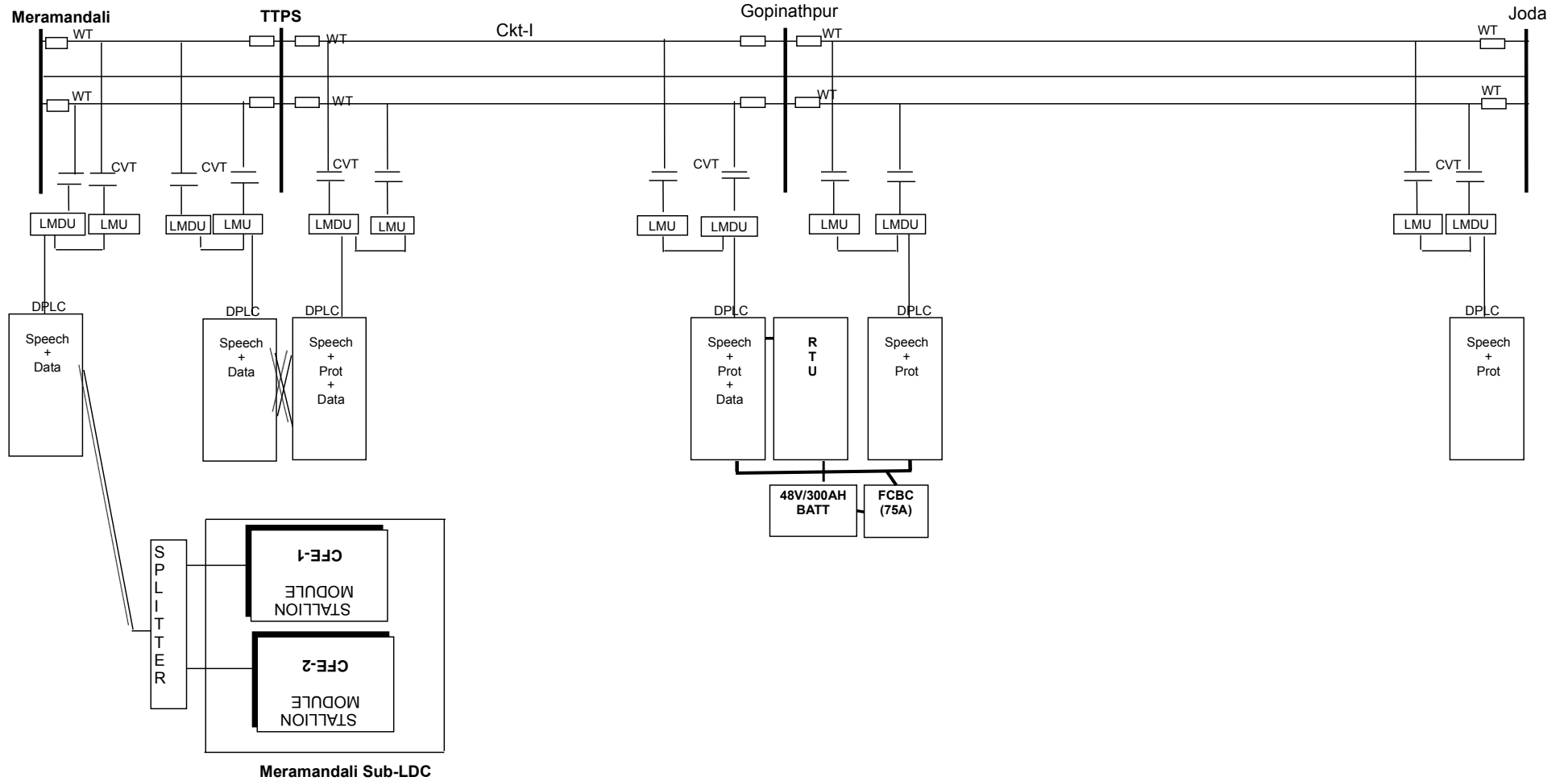
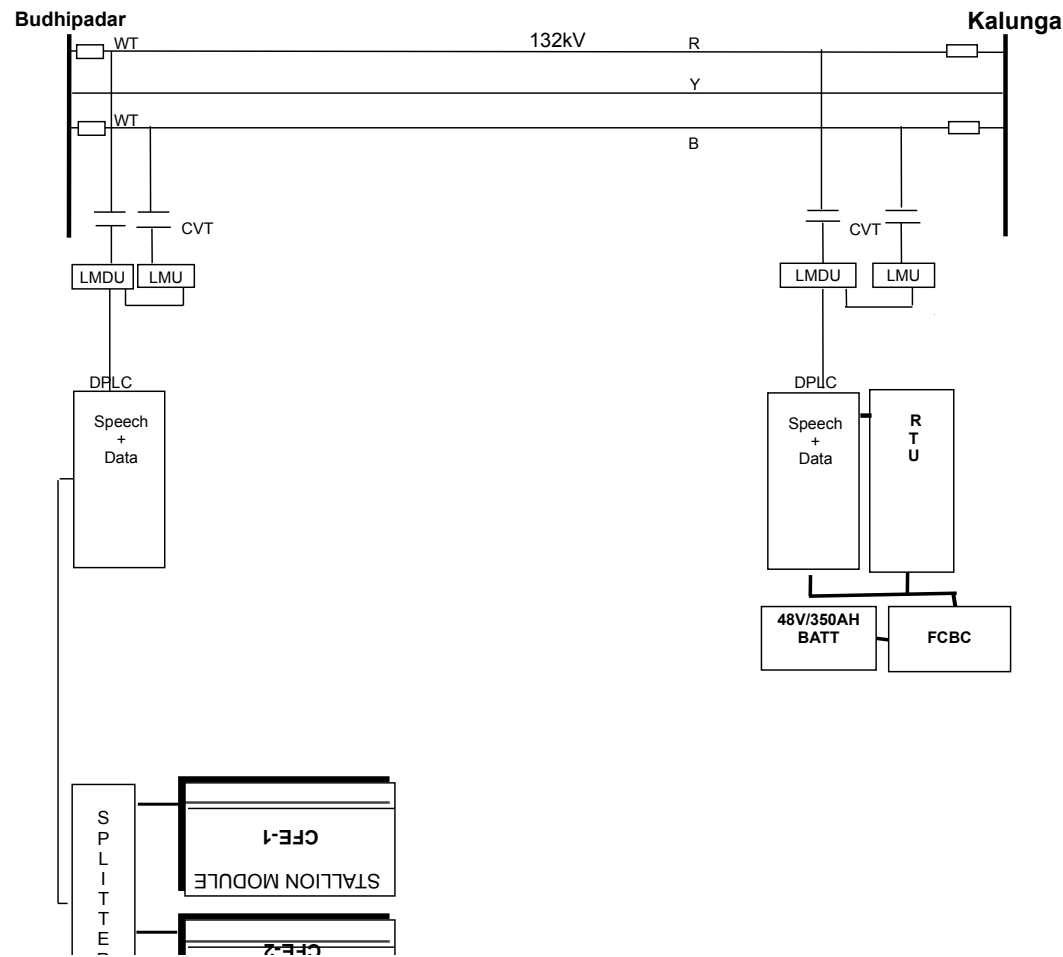


SCHEMATIC LAYOUT FOR SPEECH, PROTECTION & DATA APPLICABLE TO GOPINATHPUR (LILO OF 220KV TTPS-JODA CKT-1 AT GOPINATHPUR)



Annexure-T2

SCHEMATIC LAYOUT FOR SPEECH & DATA CONNECTIVITY APPLICABLE TO 132 KV KALUNGA (LILO OF 132KV TARKERA - B.PADAR AT KALUNGA)

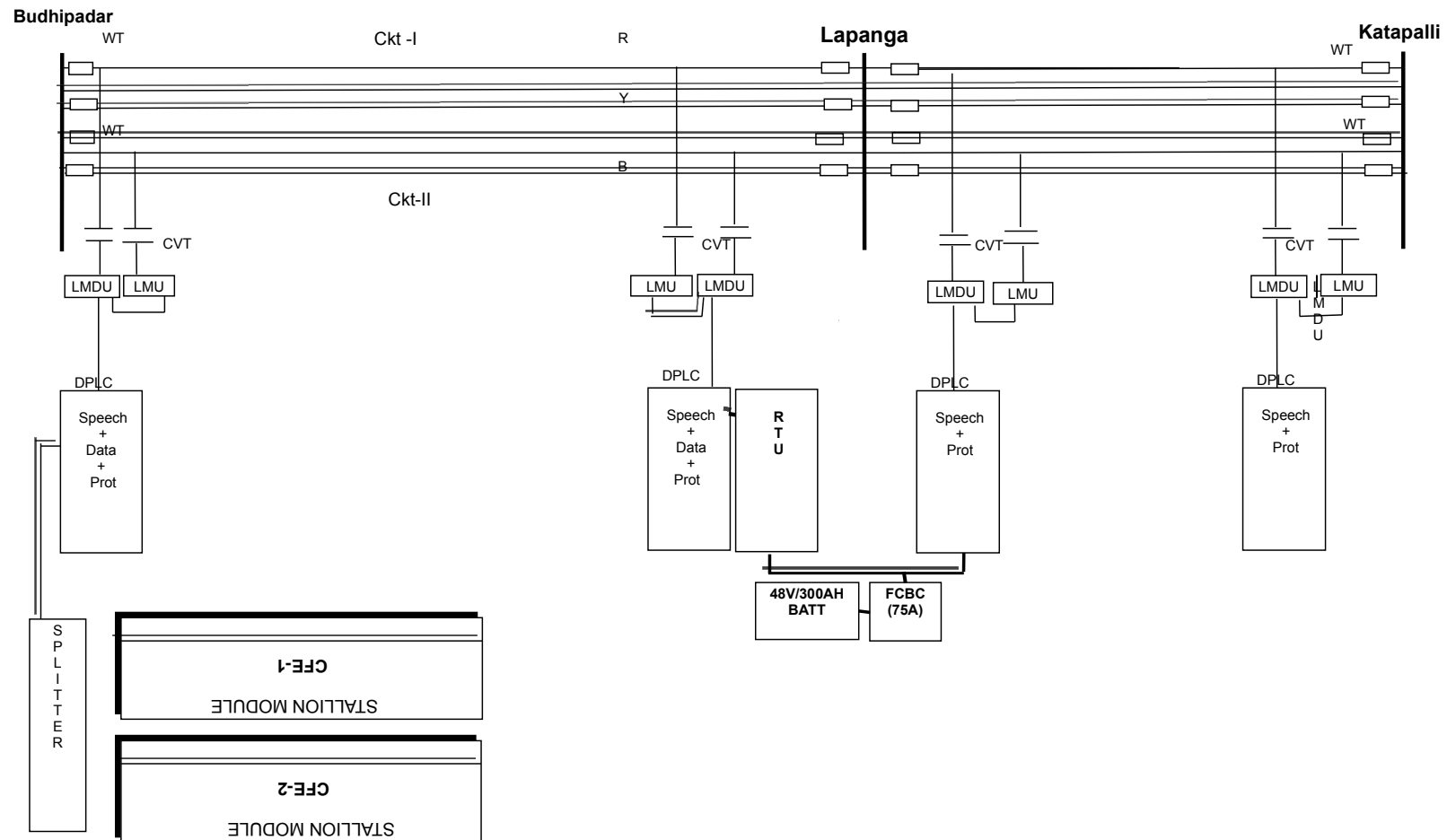




Budhipadar sub-LDC

SCHEMATIC LAYOUT FOR SPEECH, PROTECTION & DATA APPLICABLE TO 220KV LAPANGA
(LILO OF 220KV BUDHIPADAR-KATAPALLI DC AT LAPANGA)

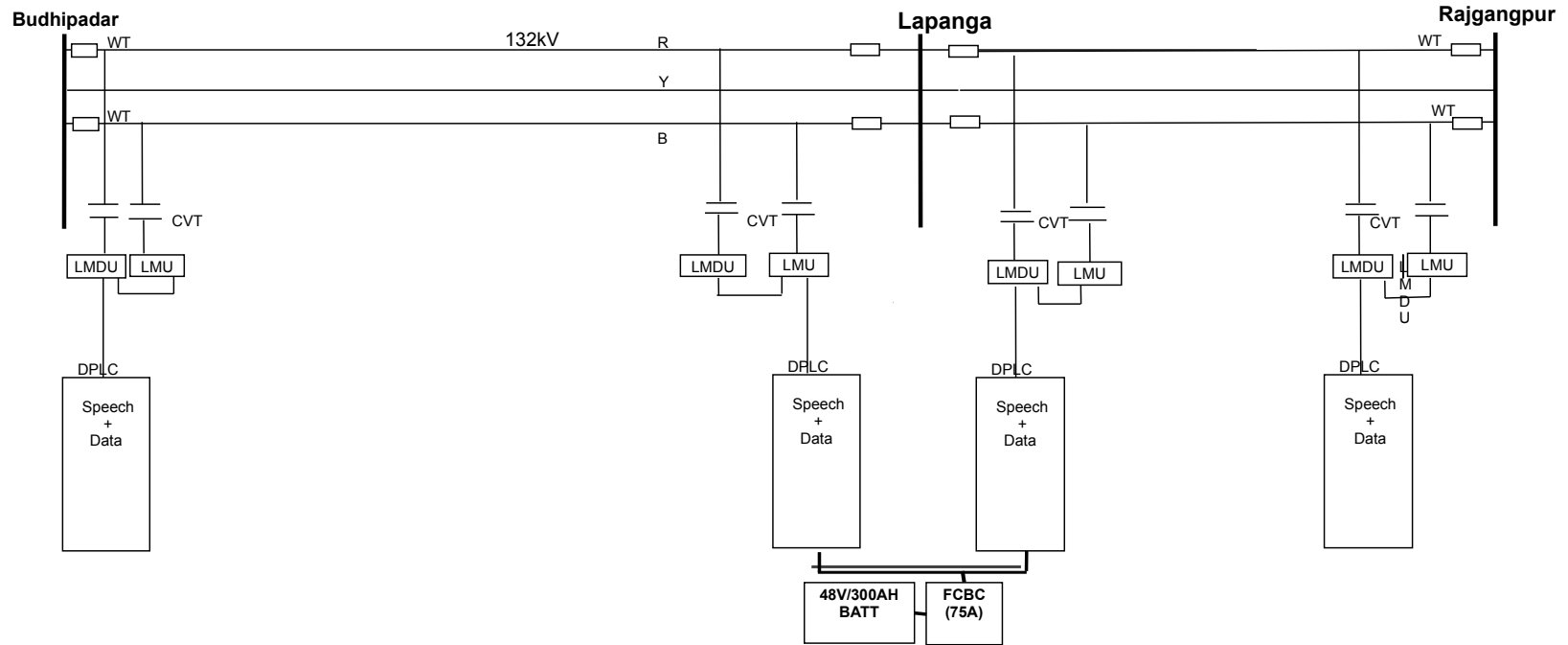
Annexure-T3



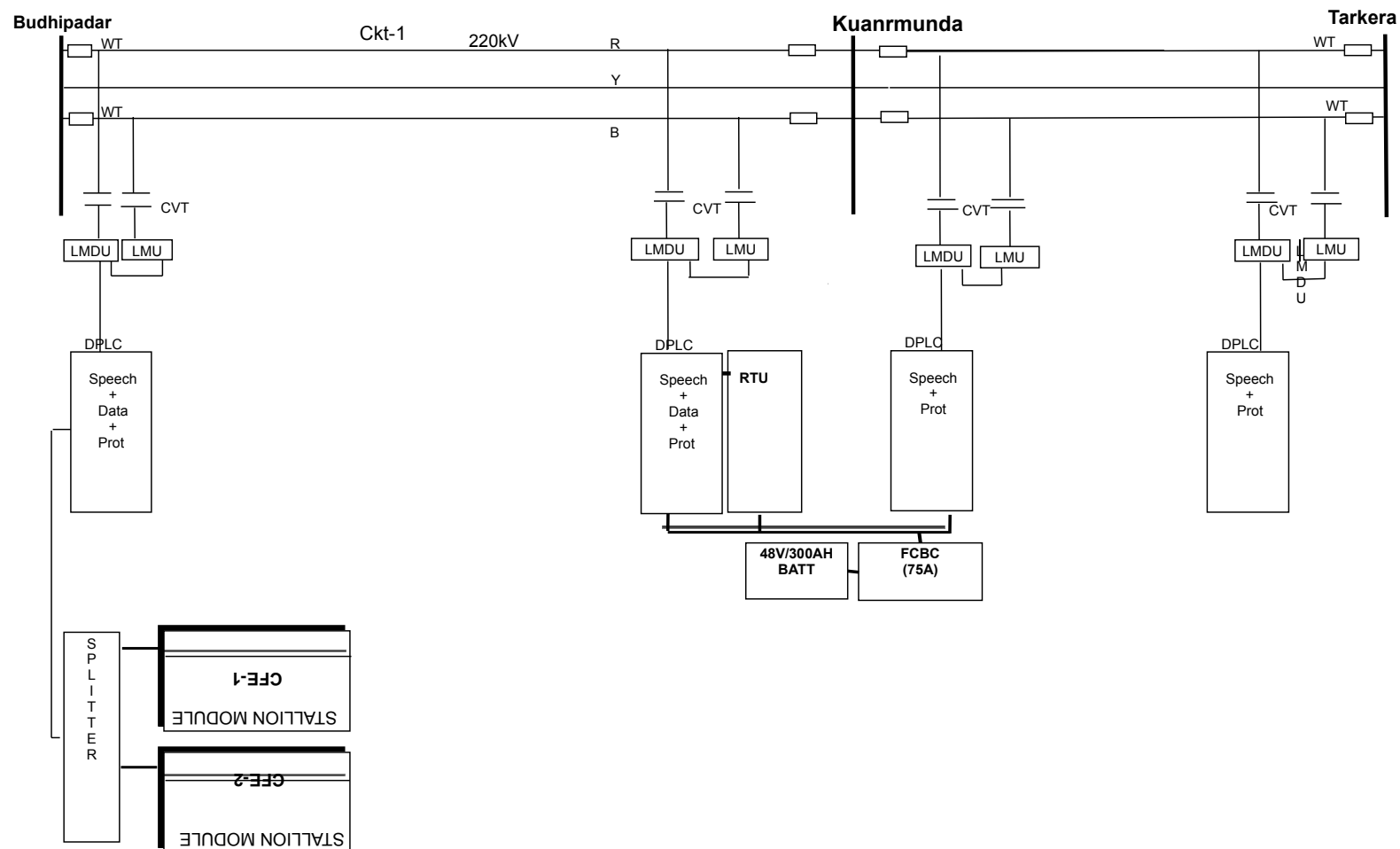
Budhipadar Sub-LDC

SCHEMATIC LAYOUT FOR SPEECH & DATA APPLICABLE TO 132KV LAPANGA
(LILO OF 132KV BUDHIPADAR-RAJGANGPUR AT LAPANGA)

Annexure-T4

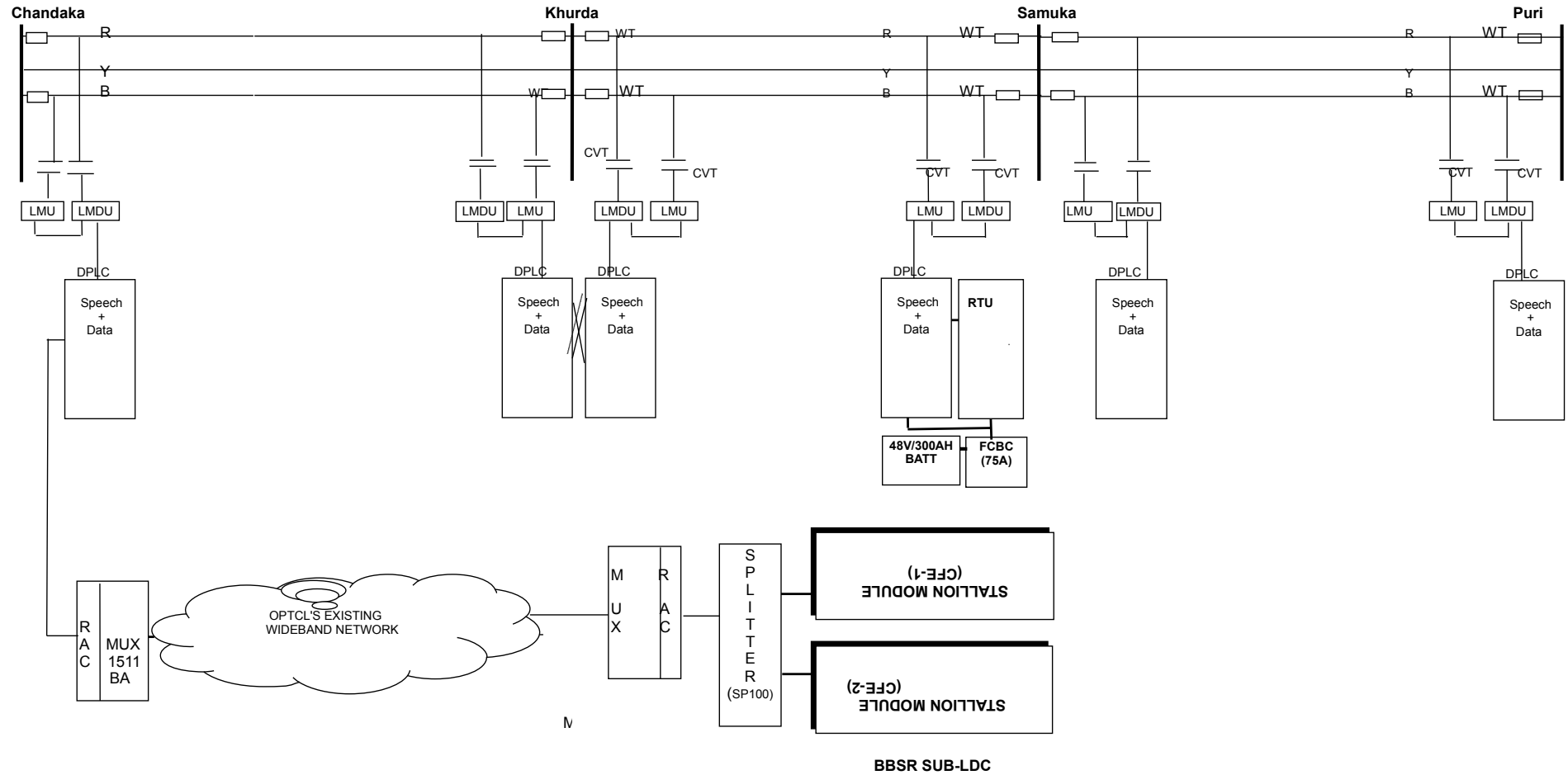


**SCHEMATIC LAYOUT FOR SPEECH, PROTECTION & DATA APPLICABLE TO 220KV KUANRMUNDA
(LILO OF 220KV BUDHIPADAR-TARKERA AT KUANRMUNDA)**

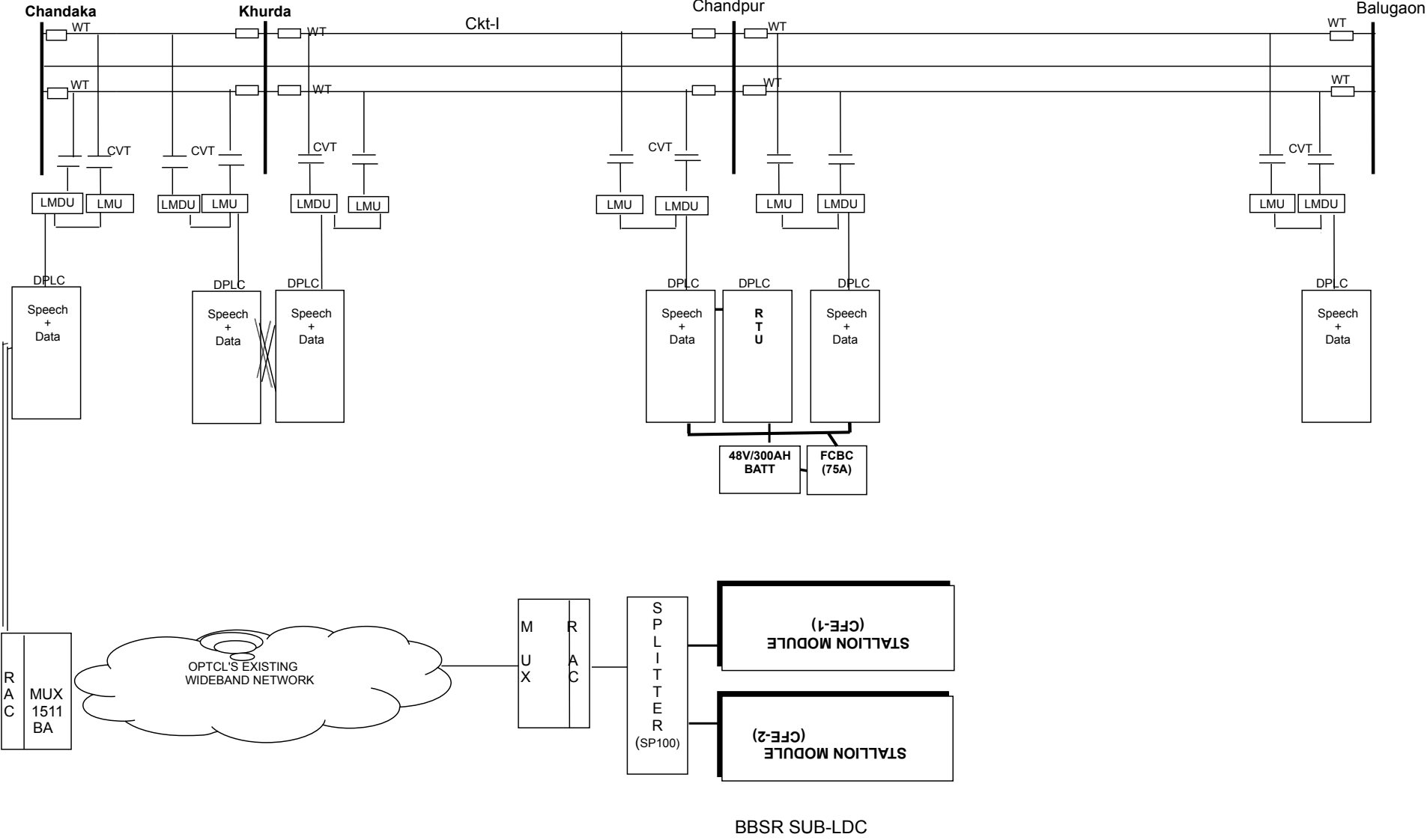


Budhipadar sub-LDC

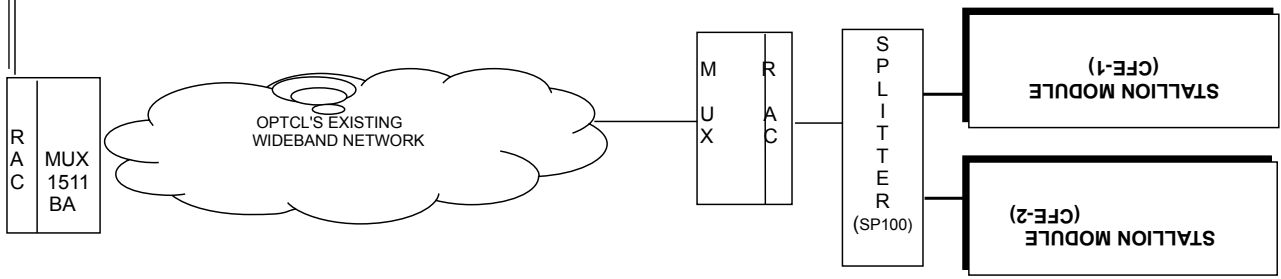
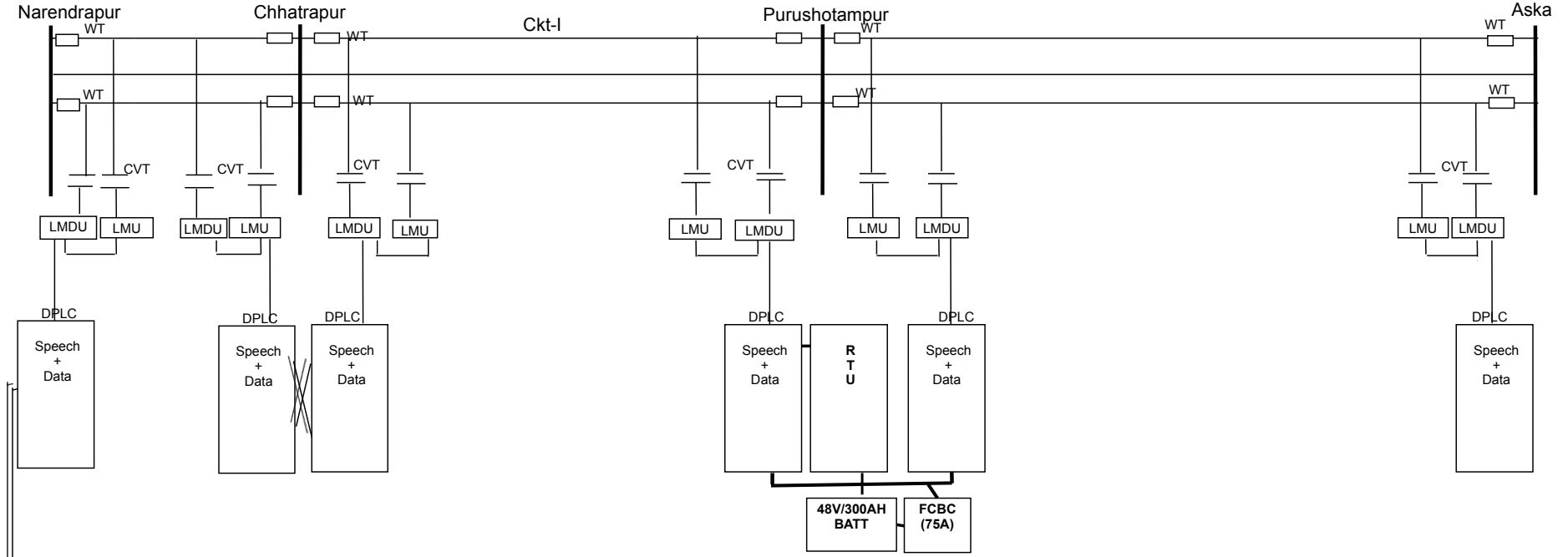
**SCHEMATIC LAYOUT FOR SPEECH & DATA CONNECTIVITY APPLICABLE TO SAMUKA BEACH
(LIL OF 132KV KHURDA-PURI AT SAMUKA BEACH)**



**SCHEMATIC LAYOUT FOR SPEECH & DATA APPLICABLE TO 132KV CHANDPUR
(LILO OF 132KV KHURDA-BALUGAON AT CHANDPUR)**

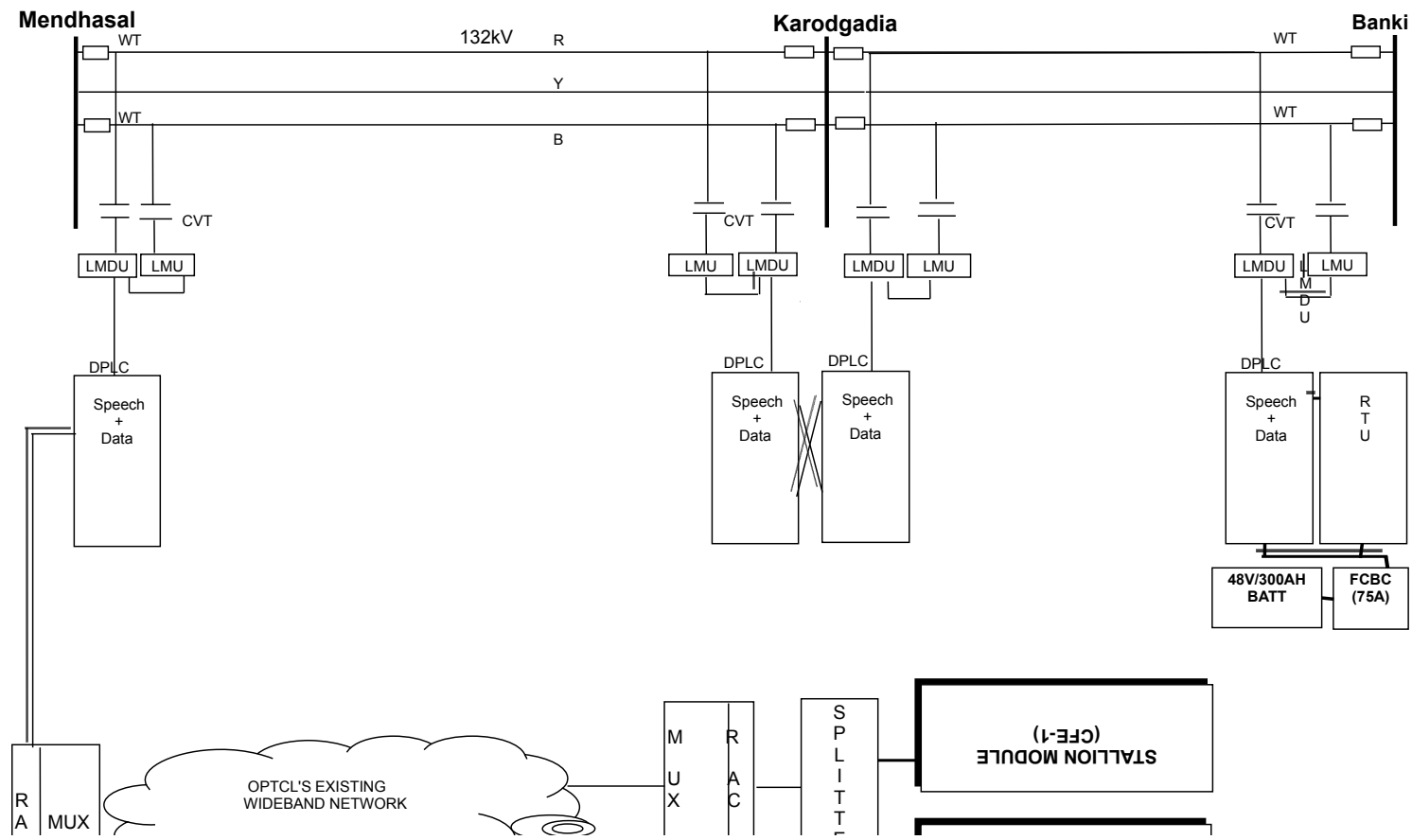


**SCHEMATIC LAYOUT FOR SPEECH & DATA APPLICABLE TO 132KV PURUSHOTAMPUR
(LILO OF 132KV CHHATRAPUR-ASKA AT PURUSHOTAMPUR)**



Jayanagar SUB-LDC

SCHEMATIC LAYOUT FOR SPEECH & DATA APPLICABLE TO 132KV BANKI



C	1511
	BA



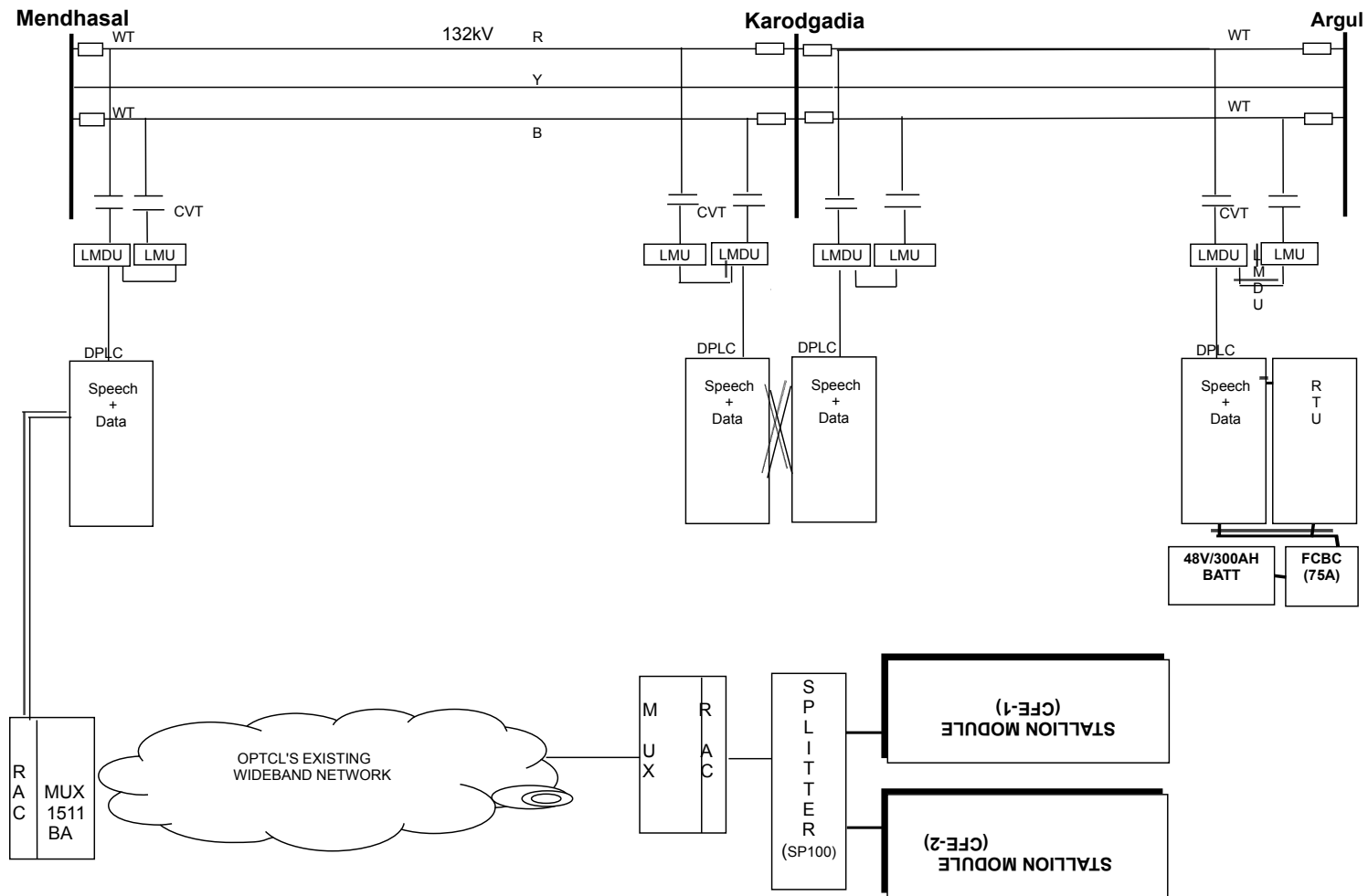
E
R
(SP100)



STALLION MODULE
(CFE-2)

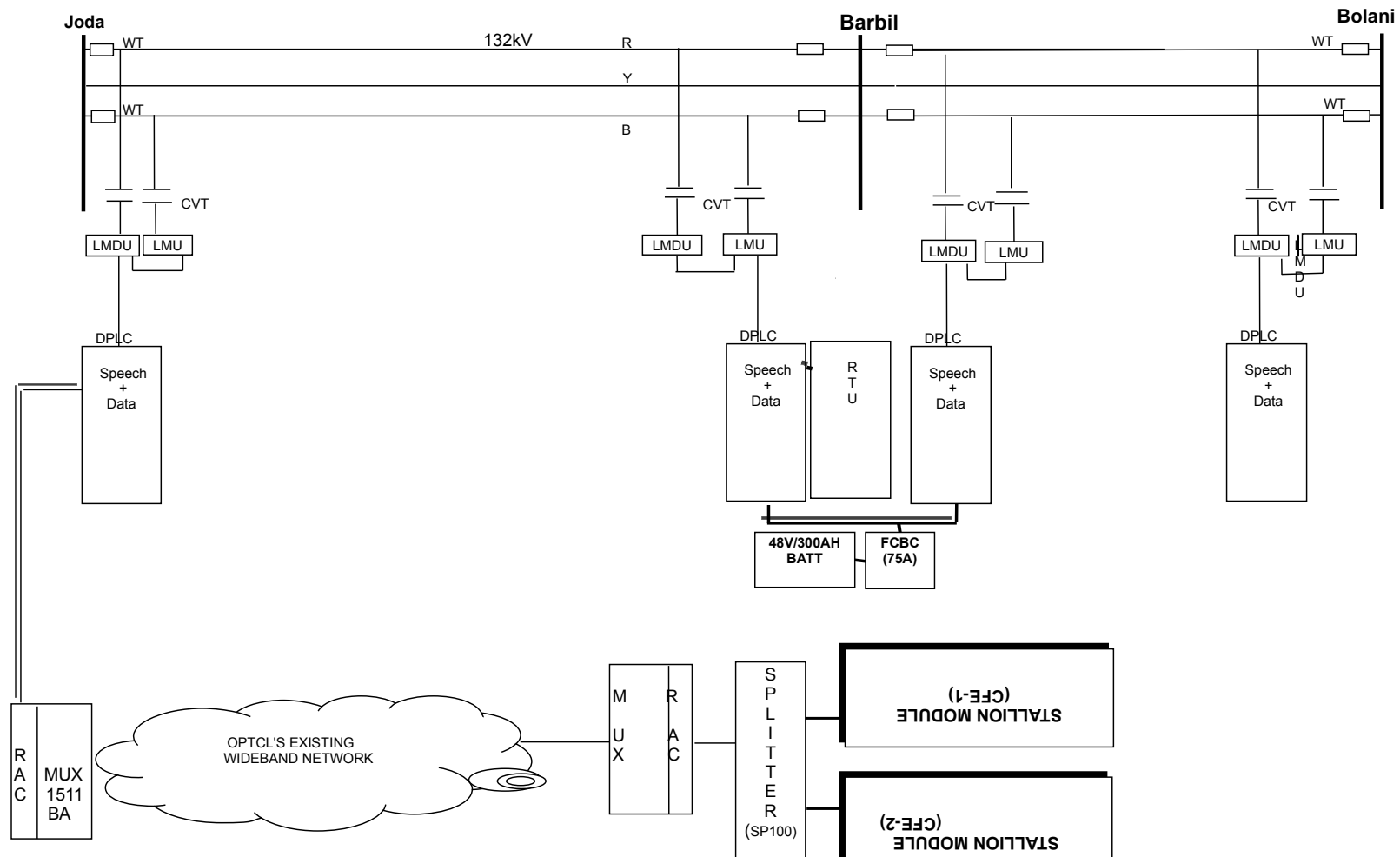
BBSR SUB-LDC

SCHEMATIC LAYOUT FOR SPEECH & DATA APPLICABLE TO 132KV ARGUL



BBSR SUB-LDC

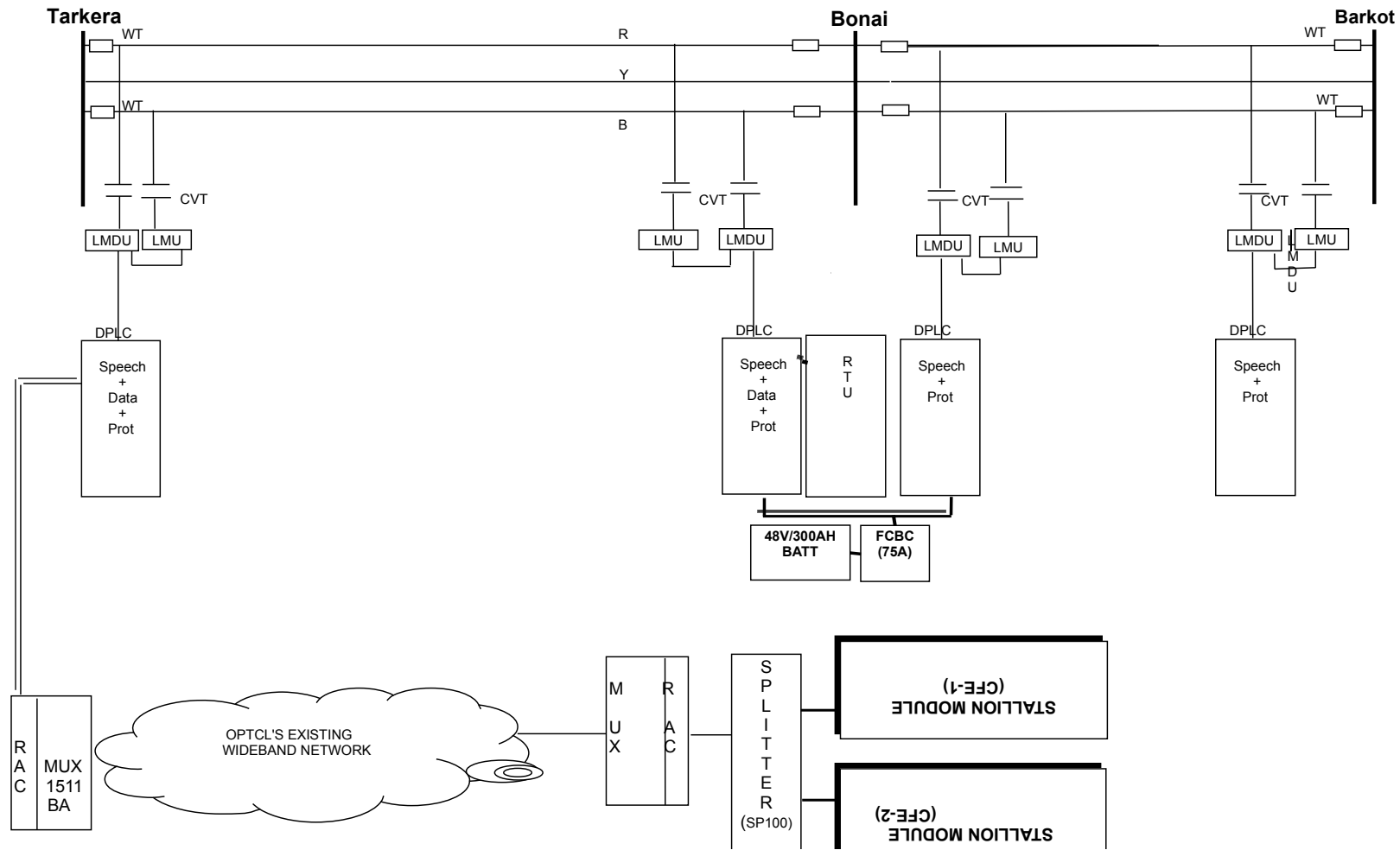
SCHEMATIC LAYOUT FOR SPEECH & DATA APPLICABLE TO 132KV BARBIL
(LILO OF 132KV JODA-BOLANI AT LAPANGA)

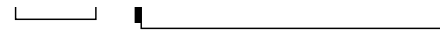




Meramundali sub-LDC

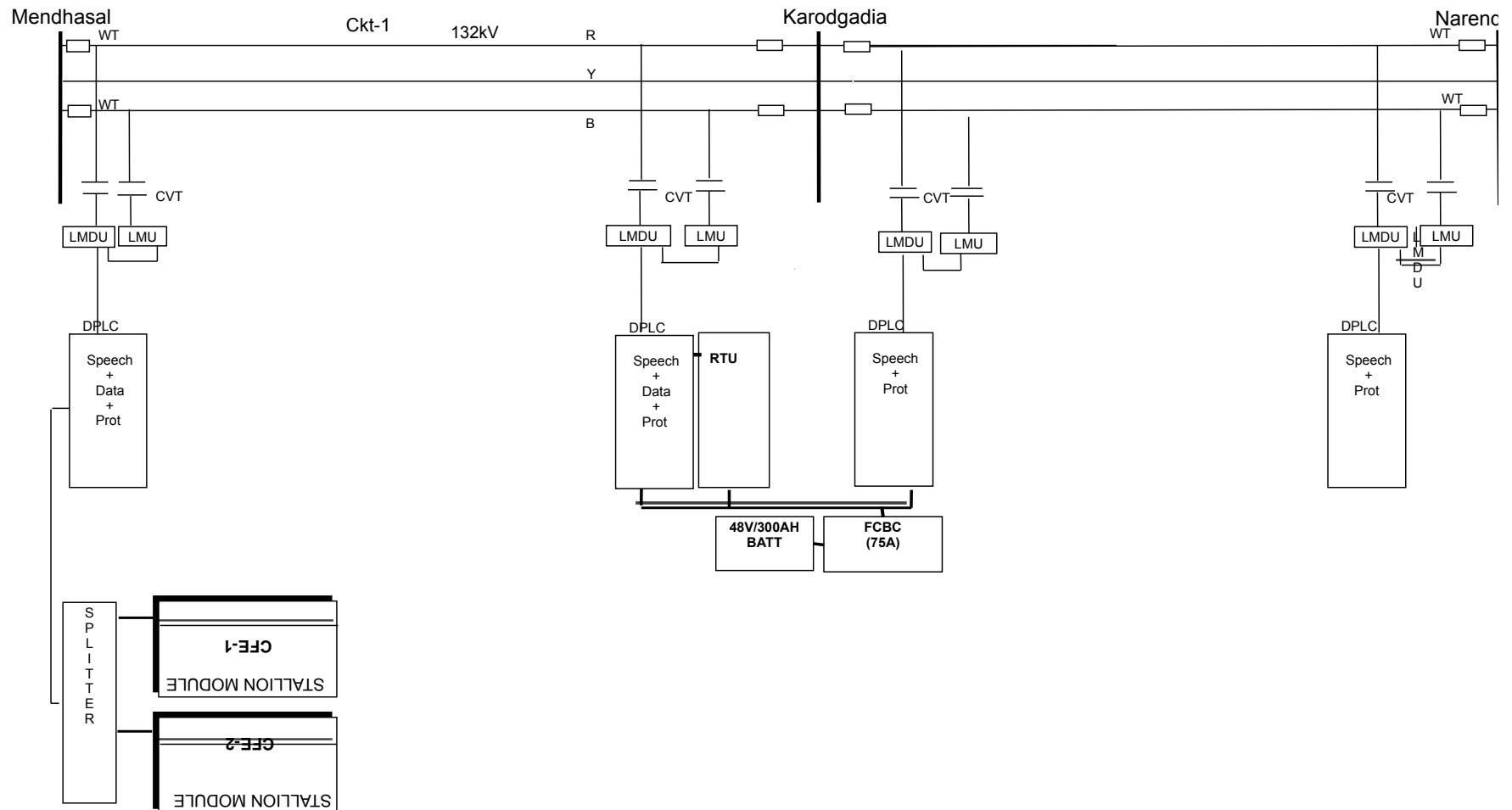
SCHEMATIC LAYOUT FOR SPEECH, PROTECTION & DATA APPLICABLE TO 220KV BONAI
(LILO OF 220KV BARKOT-TARKERA AT BONAI)





Budhipadar sub-LDC

**SCHEMATIC LAYOUT FOR SPEECH, PROTECTION & DATA APPLICABLE TO 220KV KARODGADIA
(LILO OF 220KV MENDHASAL-NARENDRAPUR AT KARODGADIA)**

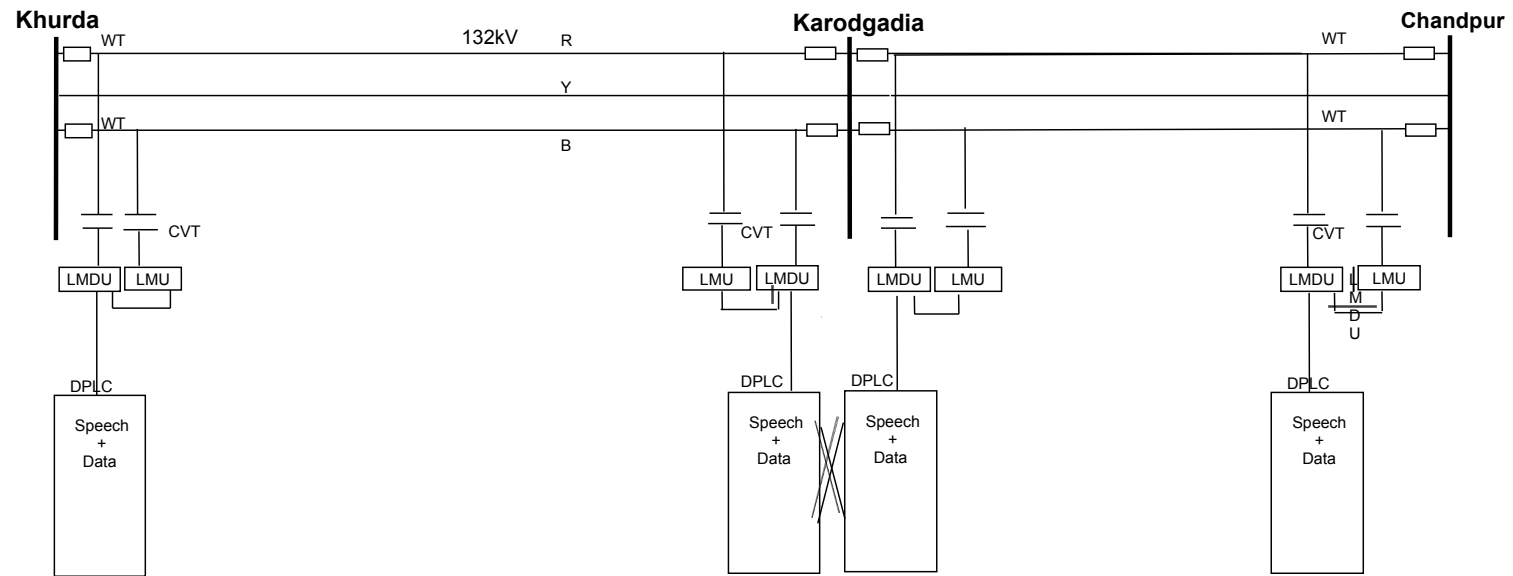


Budhipadar sub-LDC

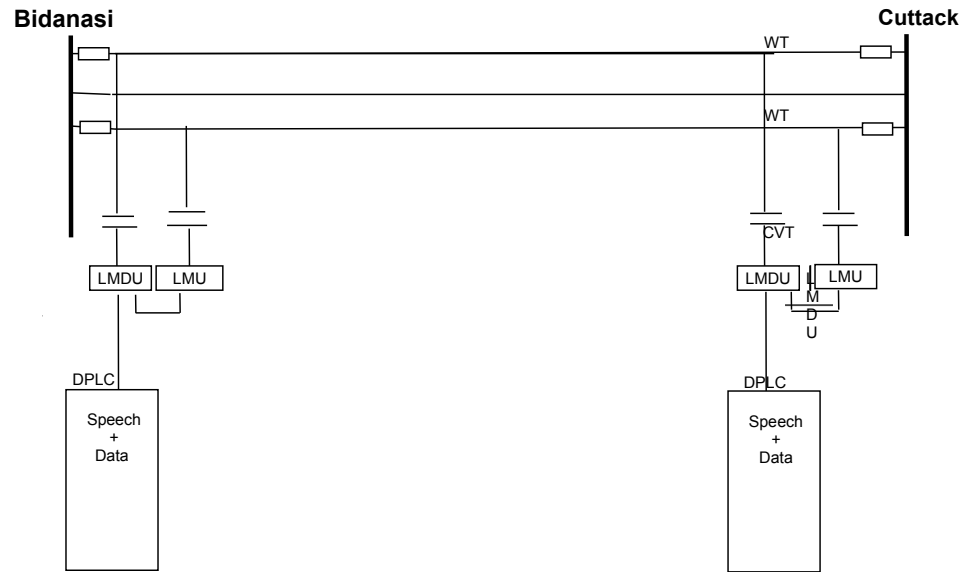
Jrapur



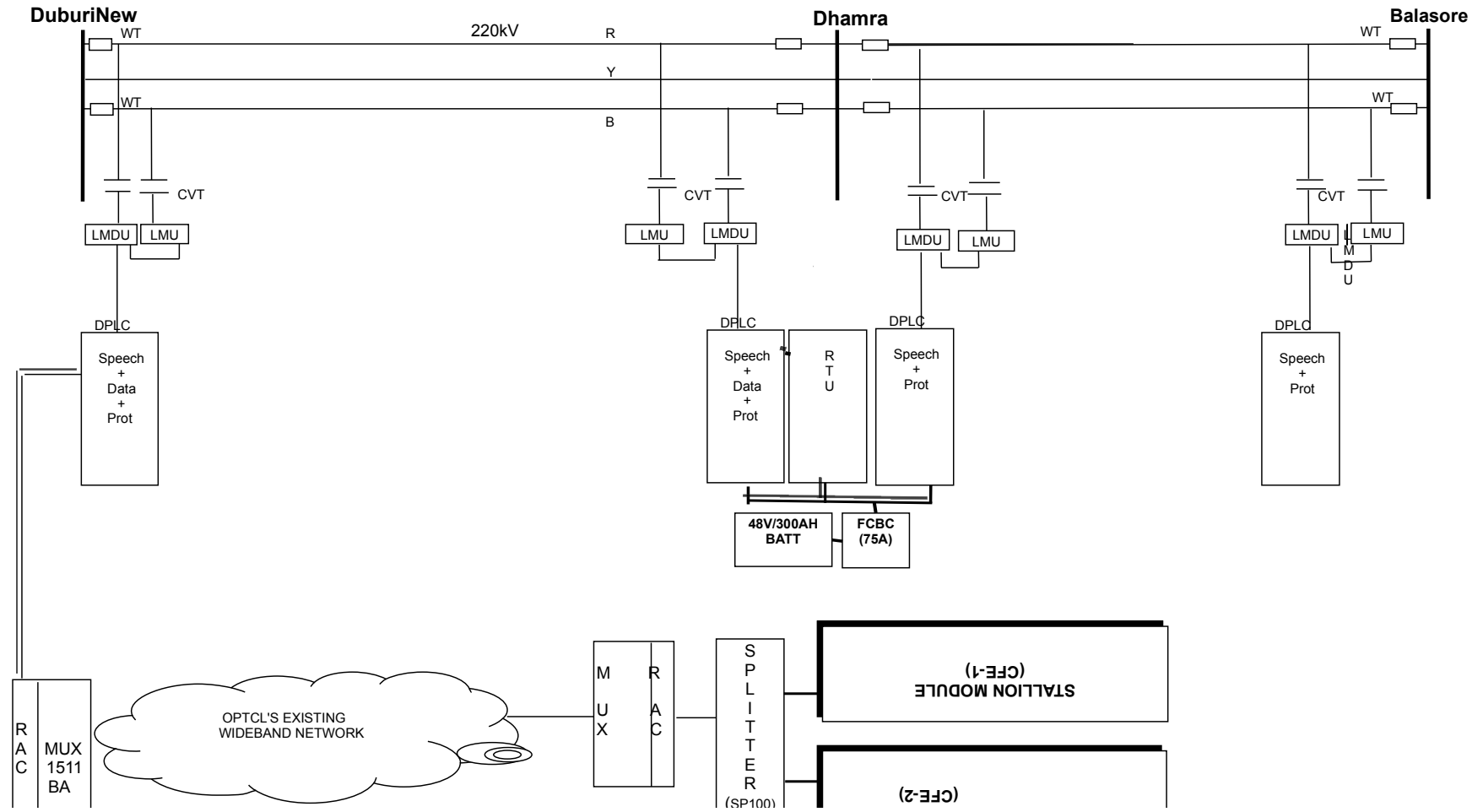
SCHMATIC LAYOUT FOR SPEECH & DATA APPLICABLE TO 132KV KHURDA-CHANDPUR LILO AT KARODGADIA



SCHMATIC LAYOUT FOR SPEECH COMMUNICATION BETWEEN 220KV CUTTACK-BIDANASI



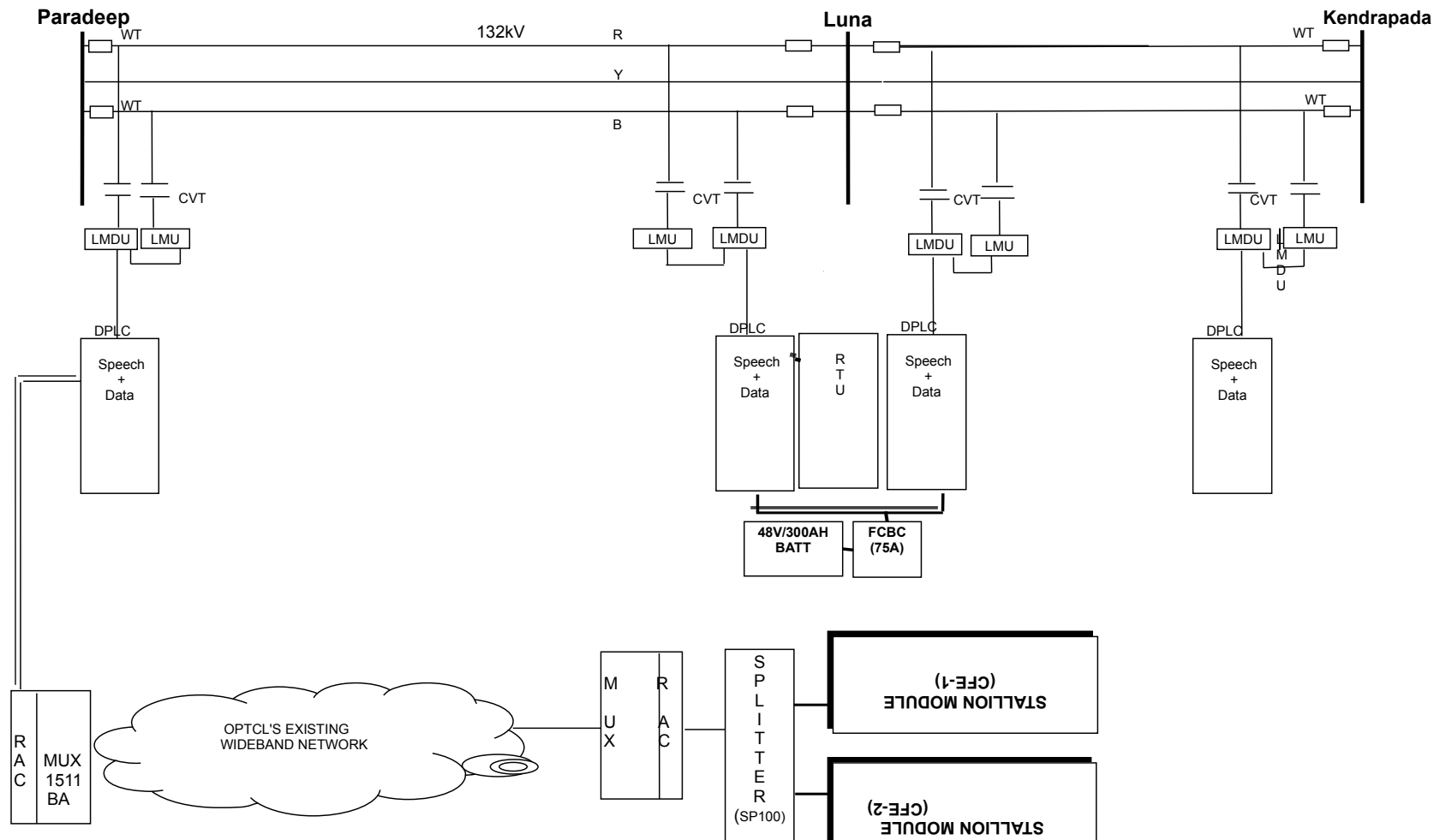
SCHEMATIC LAYOUT OF EQUIPMENT FOR SPEECH & DATA APPLICABLE TO 220KV DHAMRA



STALLION MODULE

Meramundali sub-LDC

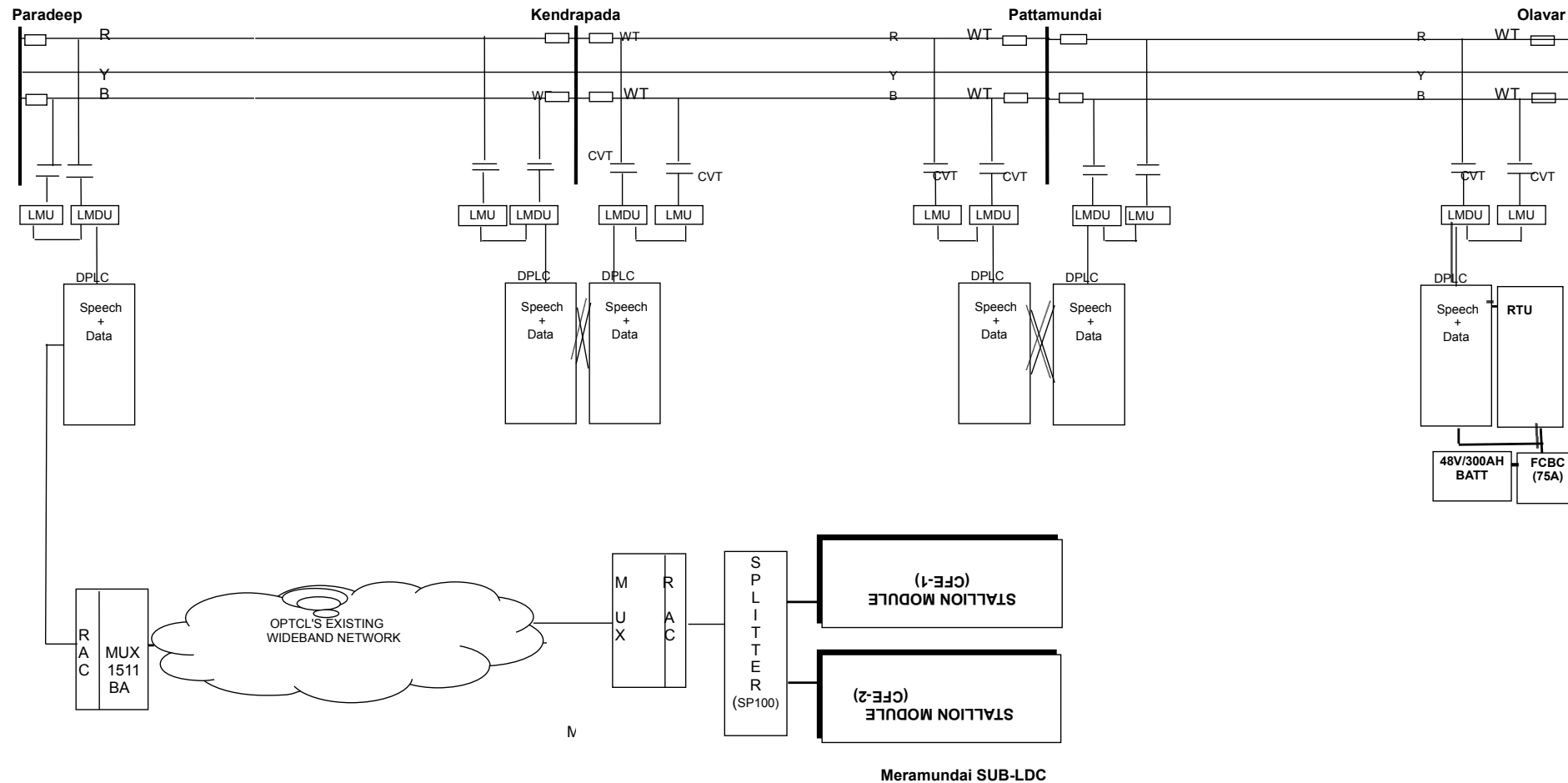
SCHEMATIC LAYOUT OF EQUIPMENT FOR SPEECH & DATA APPLICABLE TO 132KV LUNA(LILO OF PARADEEP -KENDRAPADA)





Meramundali sub-LDC

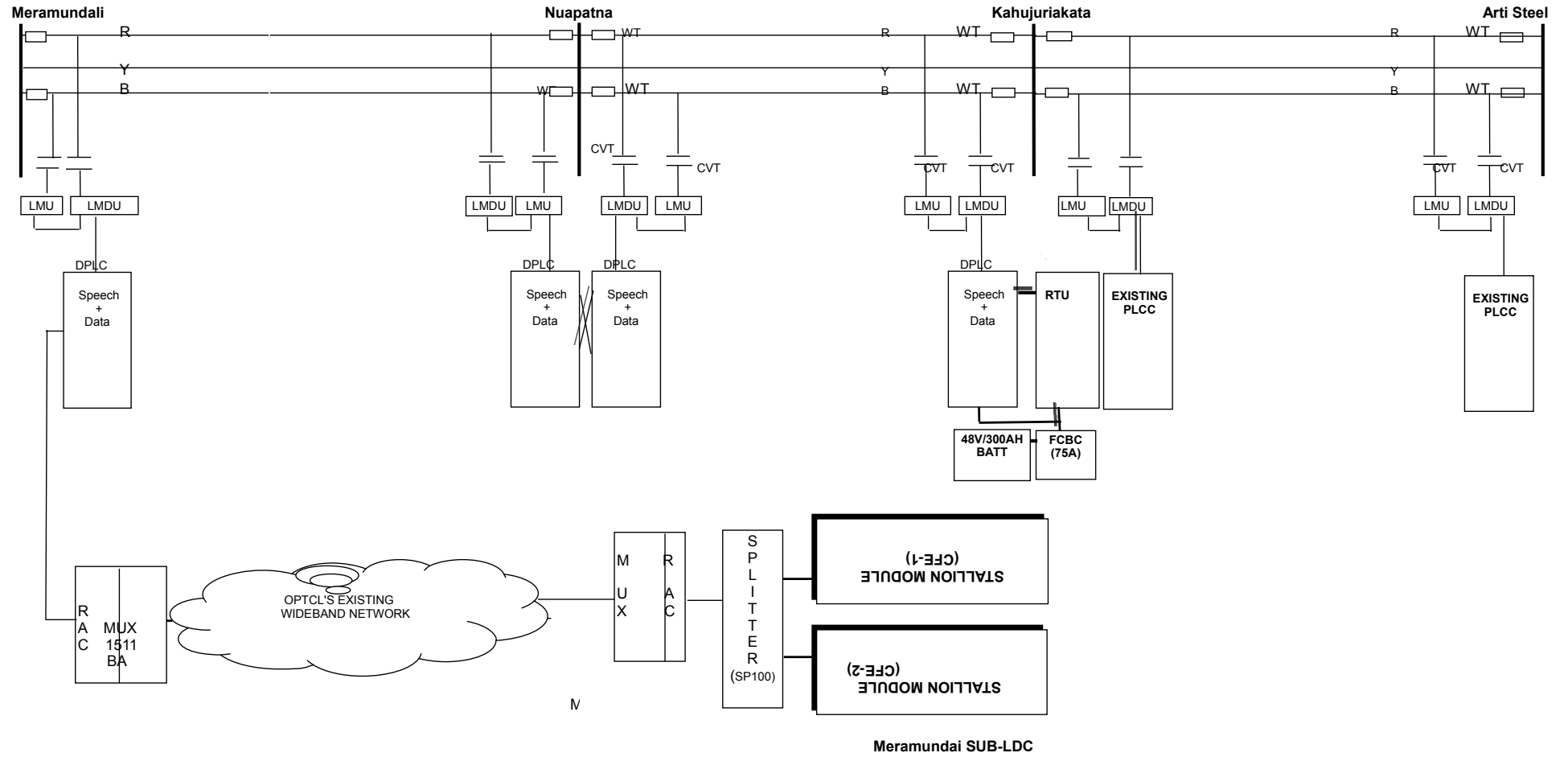
SCHEMATIC LAYOUT FOR SPEECH & DATA CONNCTIVITY APPLICABLE TO 132KV OLAVAR



1

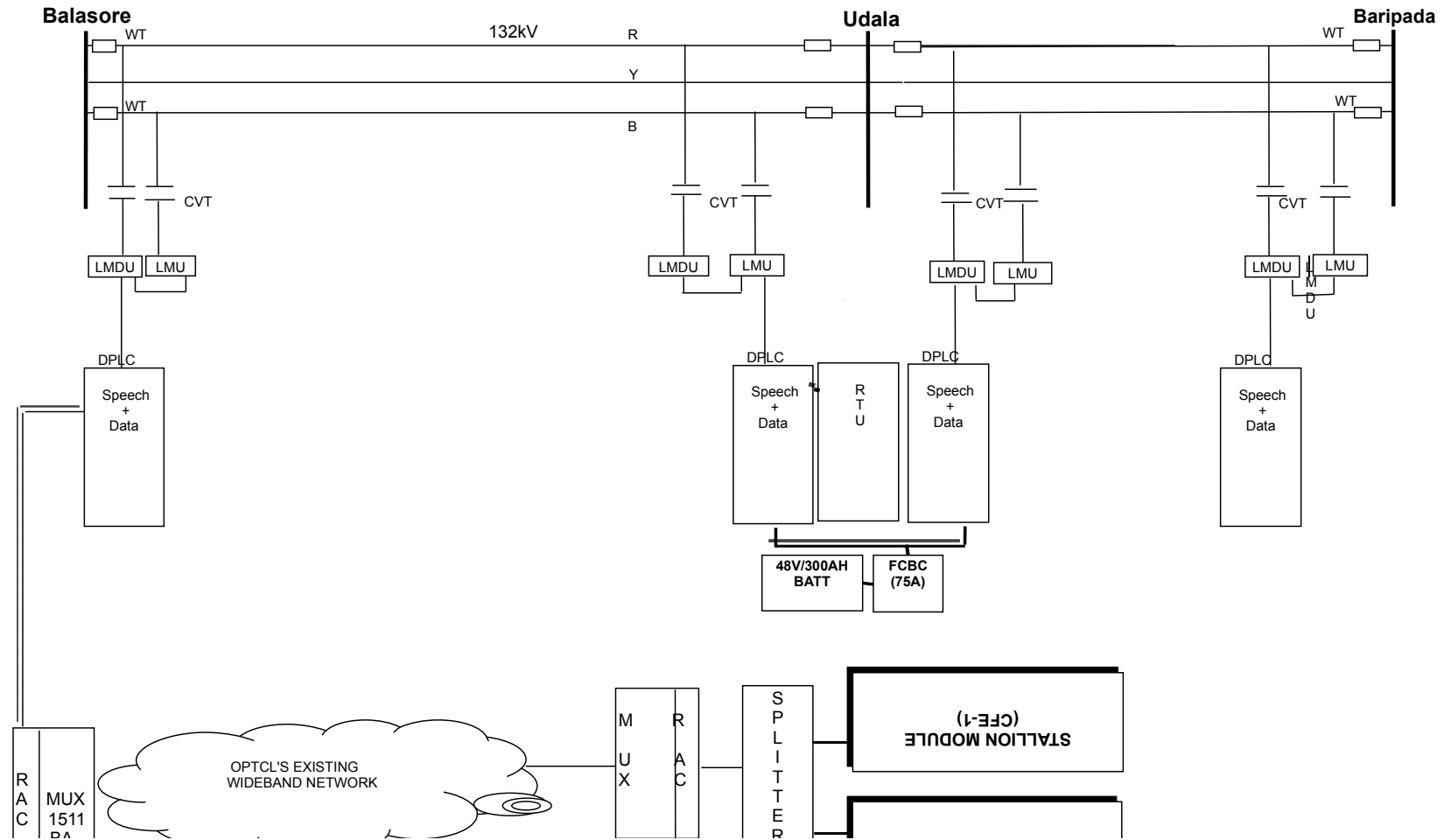


SCHEMATIC LAYOUT FOR SPEECH & DATA CONNCWETIVITY APPLICABLE TO 132KV OLAVAR





SCHEMATIC LAYOUT OF EQUIPMENT FOR SPEECH & DATA APPLICABLE TO 132KV UDALA(LILO OF 132KV BALASORE-BARIPADA)



DA



(SP100)

**STALLION MODULE
(CFE-2)**

Meramundali sub-LDC

SCHEMATIC LAYOUT FOR SPEECH, PROTECTION & DATA APPLICABLE TO 220KV IOCL

